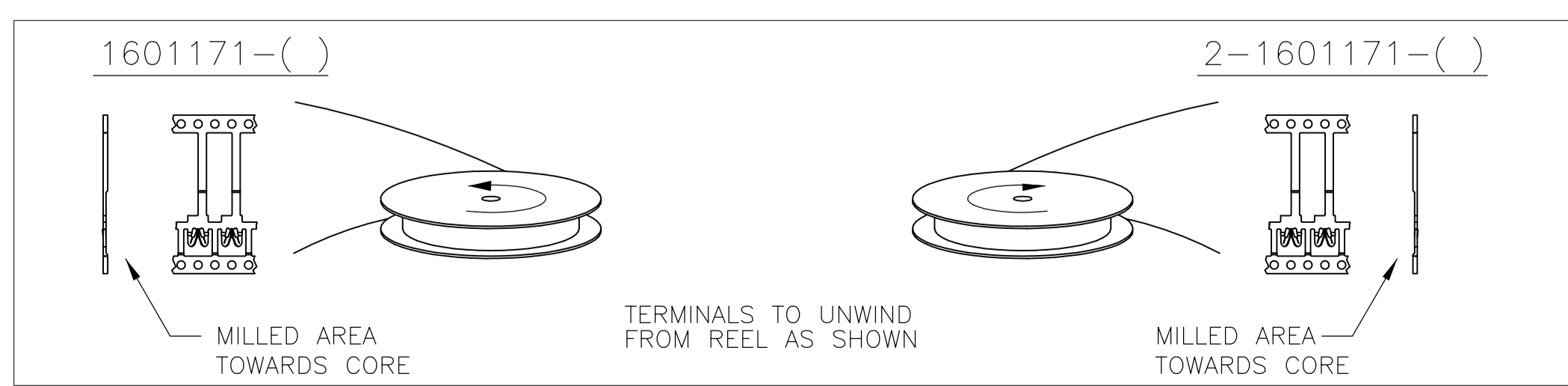
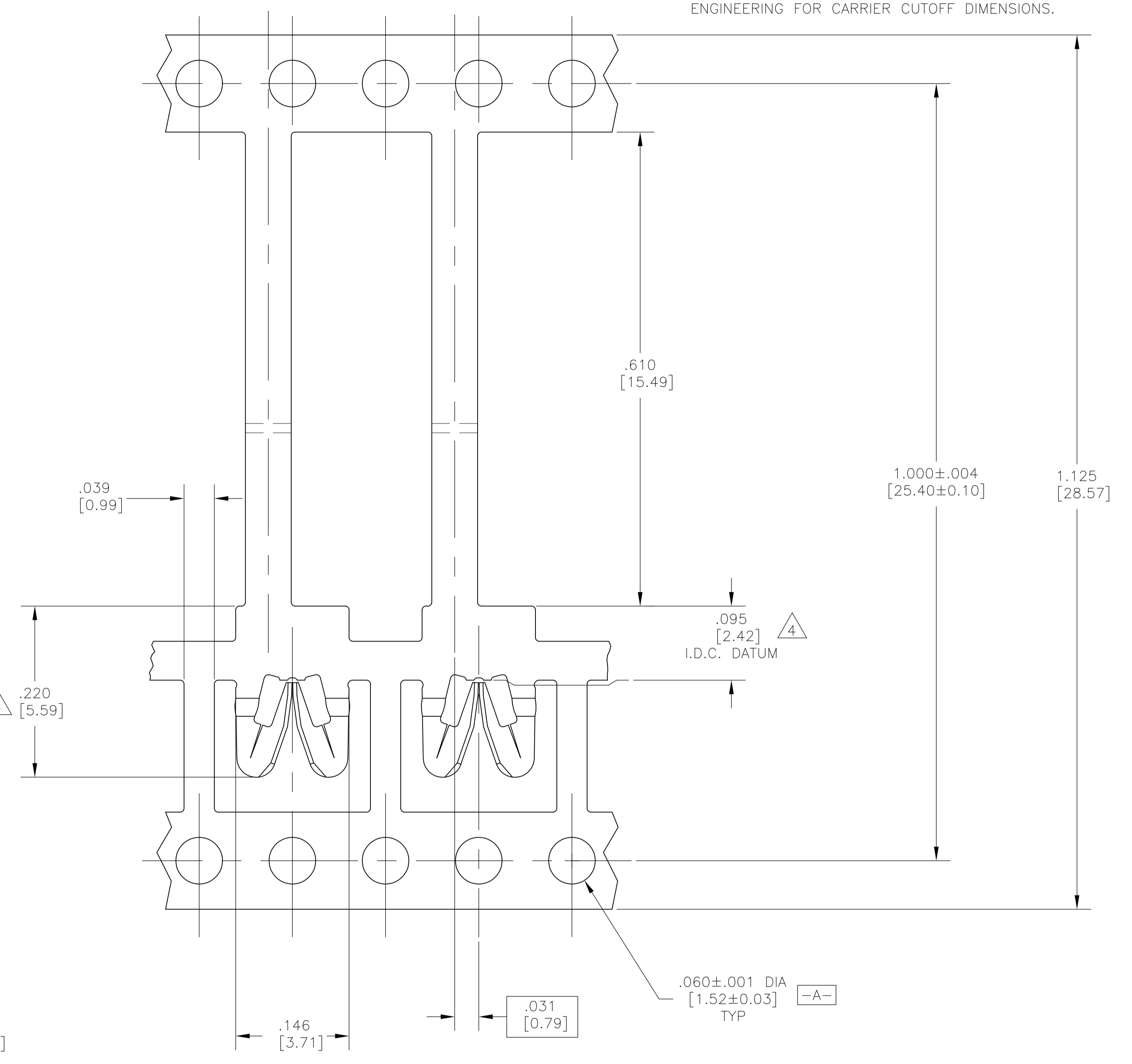
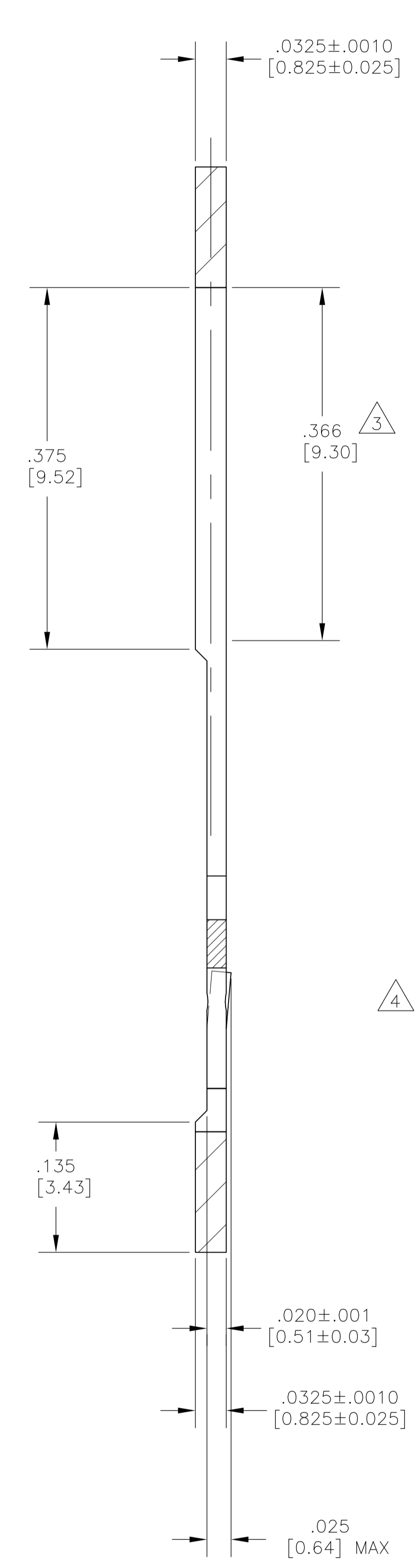
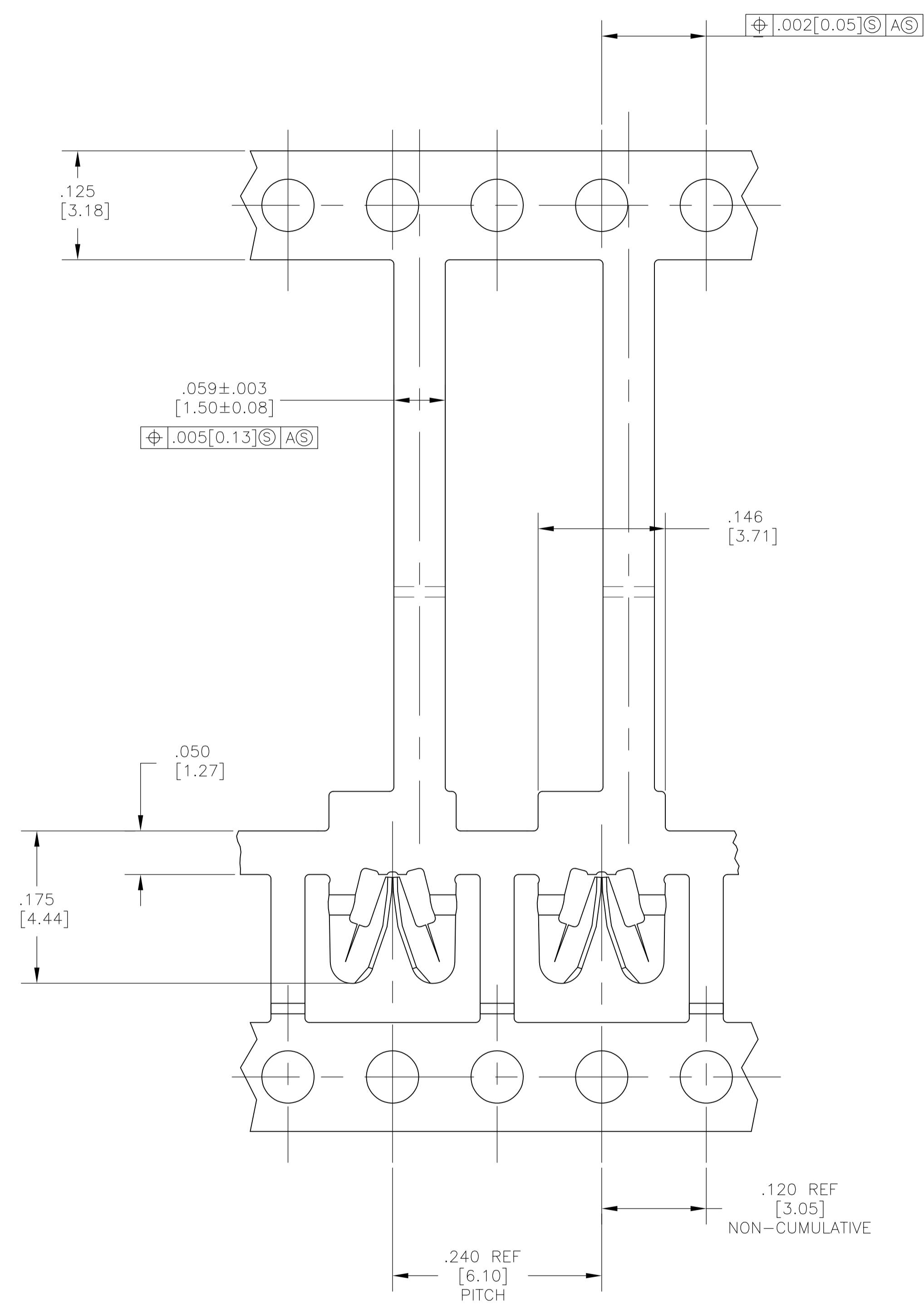


LOC		DIST		REVISIONS			
REV	DATE	BY	CHK	DESCRIPTION	DATE	BY	APPROV
F1				REVISED PER ECR-07-024681	26OCT07	HMR	GJ

- SPECIFICATIONS: MAGNET WIRE RANGE; #18-#34 .006-.040 DIA [0.16-1.02] mm COPPER. OTHER SIZES MAY BE ACCOMMODATED, CONSULT TYCO ELECTRONICS FOR APPROVAL.
- POCKET RECOMMENDATION: 1601424.
- MAINTAIN THICKNESS FOR THIS LENGTH AND COIN EDGES WITH NO BURRS.
- SPC DATA REQUIRED FOR THESE DIMENSIONS
- TERMINAL APPLICATION TO COMPLY WITH TYCO ELECTRONICS SPECIFICATION 114-13166 FIGURE 5. CONSULT TYCO ELECTRONICS ENGINEERING FOR CARRIER CUTOFF DIMENSIONS.



2-1601171-2
PART NUMBER

THIS DRAWING IS A CONTROLLED DOCUMENT.		DIN MICHAEL S. FEHNER 22OCT2002		Tyco Electronics Corporation Harrisburg, PA 17105-3608	
DIMENSIONS: INCHES		CHK GENE JACONO 22OCT2002		APPROV GENE JACONO 22OCT2002	
TOLERANCES UNLESS OTHERWISE SPECIFIED:		NAME		.059 X .032 OFFSET TAB	
0 PLC ± -		PRODUCT SPEC		108-2085	
1 PLC ± -		APPLICATION SPEC		108-2085	
2 PLC ± .01[0.25]		SIZE		A1	
3 PLC ± .005[0.13]		CAGE CODE		00779	
4 PLC ANGLES ± ± °		DRAWING NO		1601171	
MATERIAL: BRASS, FULL HARD		FINISH: PRE-TIN PLATE		WEIGHT: -	
		CUSTOMER DRAWING		SCALE: 10:1	
				SHEET 1 OF 1	
				REV F1	